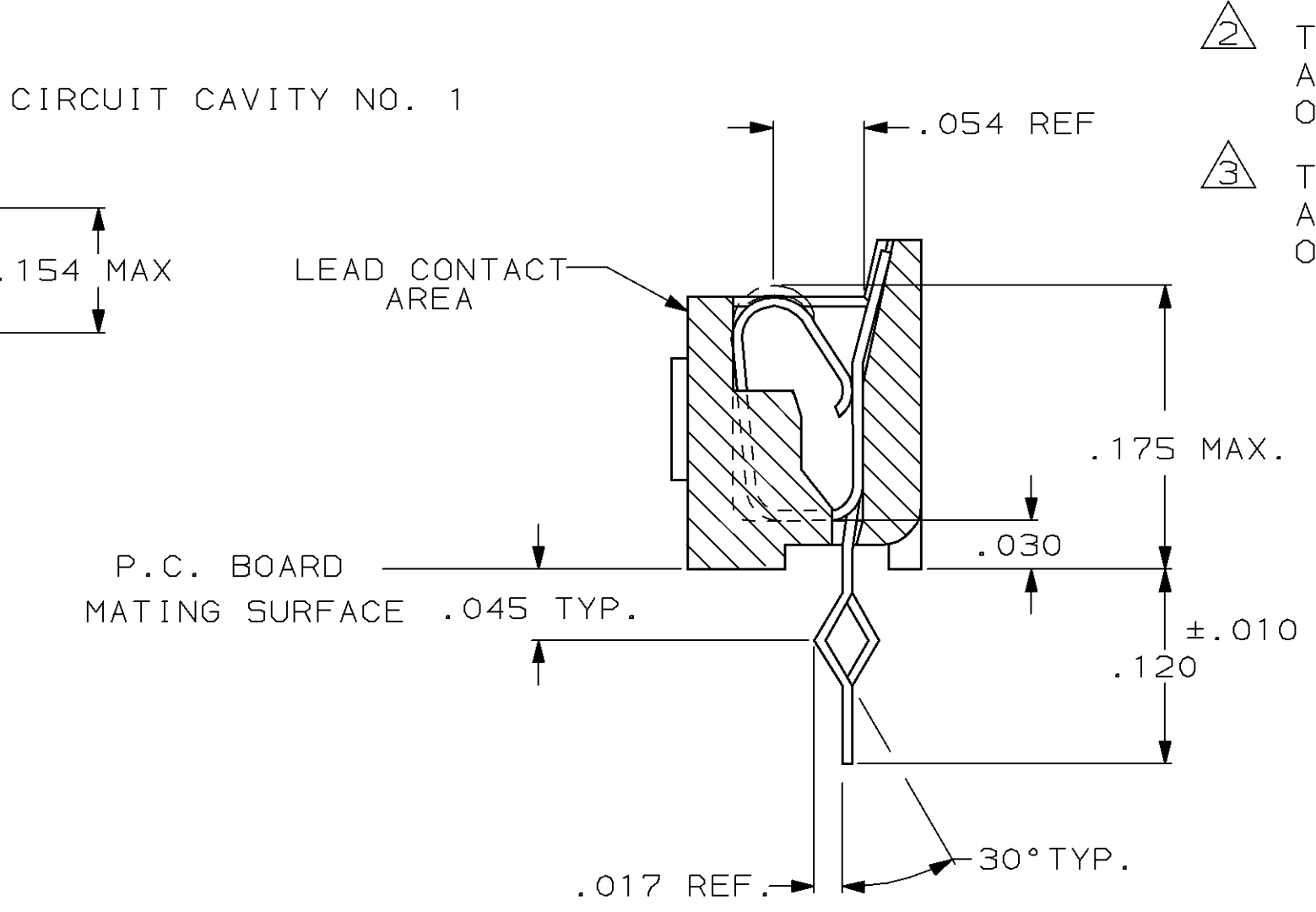
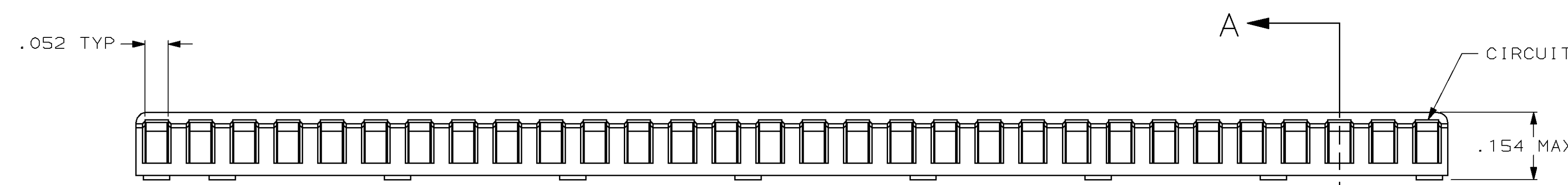
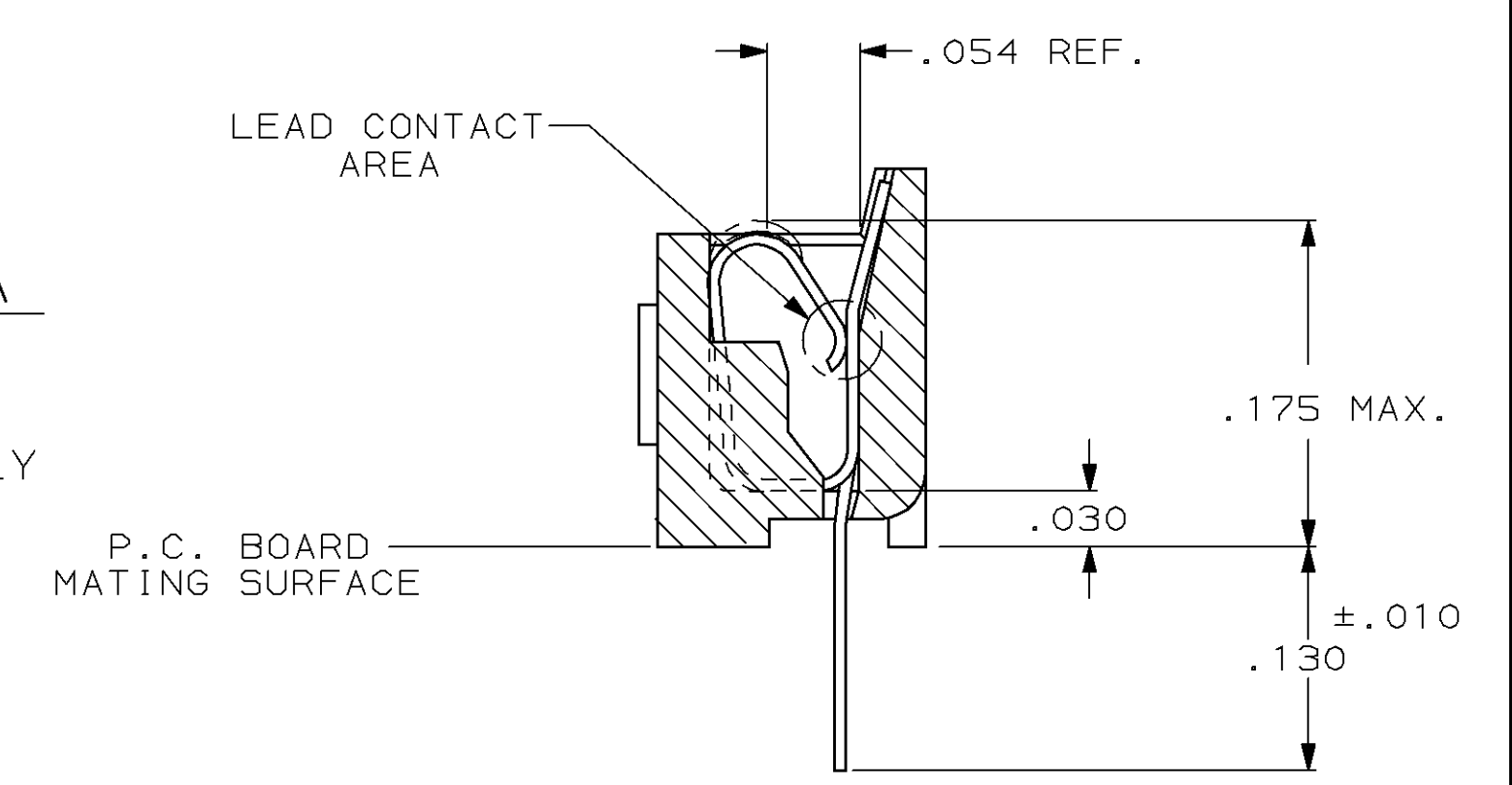


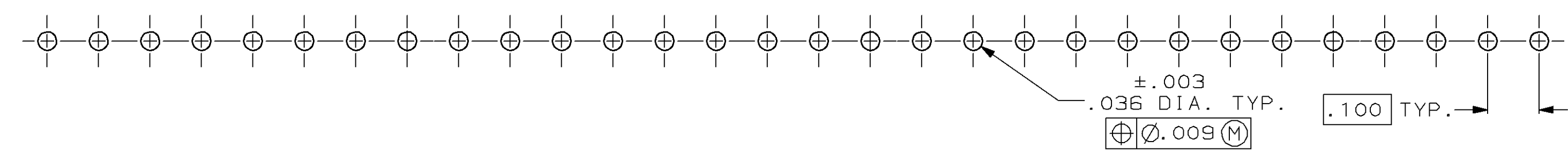
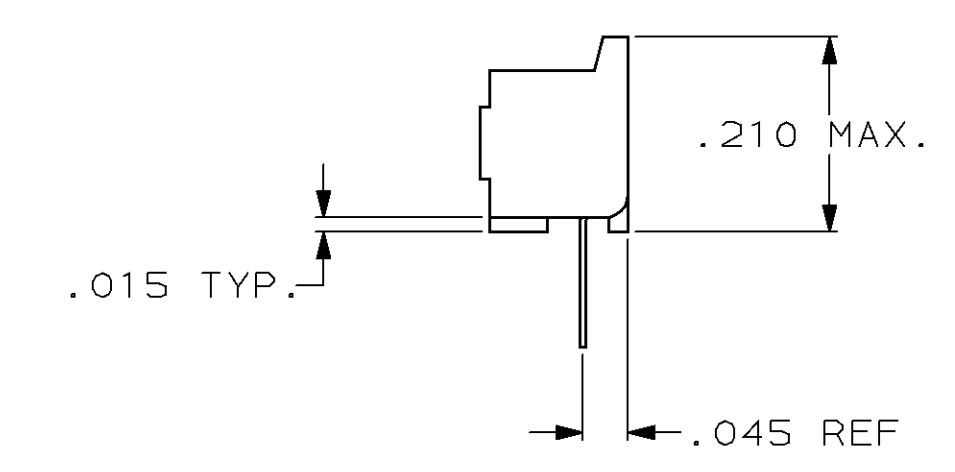
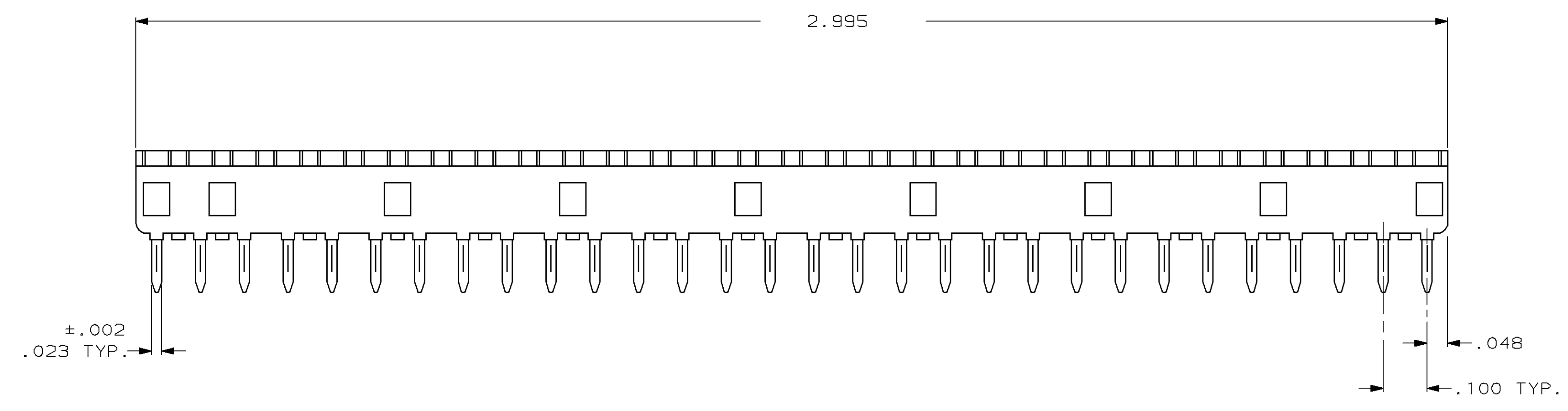
LOC	DIST	REVISIONS			
P	LTR	DESCRIPTION	DATE	OWN	APVD
H		REV PER EC 0320-138-97	12 MAY 97	MB	GJ
J		REV PER EC 0330-35-97	21 JUL 97	DH	GJ



**SECTION A-A**  
 ROTATED 90° CW  
 SCALE 10:1  
 FOR -6, -7 & -8 ONLY



**SECTION A-A**  
 ROTATED 90° CW  
 SCALE 10:1  
 FOR -1, -2 & -3 ONLY



RECOMMENDED MOUNTING HOLE PATTERN

OBSOLETE	TINNED	PHOS.BRZ.	GLASS-FILLED THERMOPLASTIC, 94V-0, BLACK	643662-8
OBSOLETE		BE.CU.	GLASS-FILLED THERMOPLASTIC, 94V-0, BLACK	643662-7
OBSOLETE	TINNED	BE.CU.	GLASS-FILLED THERMOPLASTIC, 94V-0, BLACK	643662-6
SUPSD BY 643662-2		PHOS.BRZ.	GLASS-FILLED THERMOPLASTIC, 94V-0, BLACK	643662-4
OBSOLETE	TINNED	PHOS.BRZ.	GLASS-FILLED THERMOPLASTIC, 94V-0, BLACK	643662-3
OBSOLETE		BE.CU.	GLASS-FILLED THERMOPLASTIC, 94V-0, BLACK	643662-2
OBSOLETE	TINNED	BE.CU.	GLASS-FILLED THERMOPLASTIC, 94V-0, BLACK	643662-1
CONTACT FINISH		CONTACT MAT'L	HOUSING MATERIAL	PART NO.

THIS DRAWING IS A CONTROLLED DOCUMENT.

DIMENSIONS INCHES	TOLERANCES UNLESS OTHERWISE SPECIFIED:	DWN M. CYRUS 6-11-84	AMP Incorporated Harrisburg, PA 17105-3608
0 PLC ±.005	1 PLC ±.005	CHK N. JONES 7-3-84	<b>AMP</b> SOCKET ASSY, SIP, 30 POS, DIPLOMATE™ DL
2 PLC ±.005	3 PLC ±.005	APVD J. GRAY 7-10-84	
4 PLC ±.005	ANGLES ±1°	NAME	
FINISH	SEE TABLE	PRODUCT SPEC 108-1066	
MATERIAL SEE TABLE	FINISH SEE TABLE	APPLICATION SPEC 114-1049	RESTRICTED TO
CUSTOMER DRAWING		WEIGHT -	SCALE 5:1 SHEET 1 OF 1 REV J